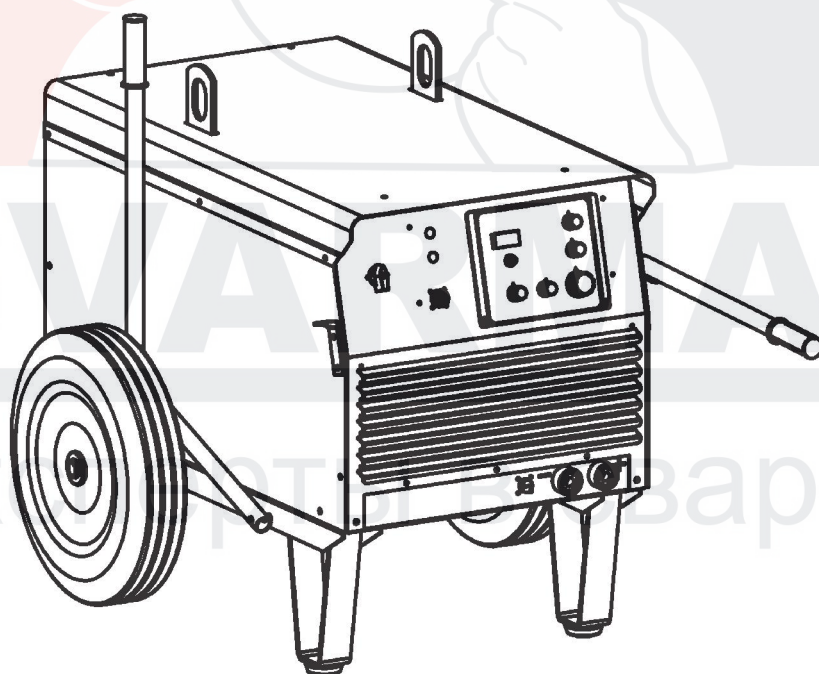


Origo™

Arc 410c, Arc 650c, Arc 810c



Spare parts list

Ordering no.	Product	
0349 310 650	Origo™ Arc 410c, A12	230/400-415/500V 3~50Hz 230/440-460/550V 3~60Hz
0349 311 200	Origo™ Arc 410c, A11	230/400-415/500V 3~50Hz 230/440-460/550V 3~60Hz
0349 311 480	Origo™ Arc 410c, A12 offshore	230/400-415/500V 3~50Hz 230/440-460/550V 3~60Hz
0349 311 490	Origo™ Arc 410c, A12 stationary	230/400-415/500V 3~50Hz 230/440-460/550V 3~60Hz
0349 311 210	Origo™ Arc 650c, A12	230/400-415/500V 3~50Hz 230/440-460/550V 3~60Hz
0349 311 500	Origo™ Arc 650c, A12 offshore	230/400-415/500V 3~50Hz 230/440-460/550V 3~60Hz
0349 311 510	Origo™ Arc 650c, A12 stationary	230/400-415/500V 3~50Hz 230/440-460/550V 3~60Hz
0349 311 430	Origo™ Arc 810c, A12 offshore	230/400-415/500V 3~50Hz 230/440-460/550V 3~60Hz

Spare parts may be ordered through your nearest ESAB dealer, see the back cover of this document. When ordering, please state product type, serial number, denominations and ordering numbers according to the spare parts list. This facilitates dispatch and ensures correct delivery.

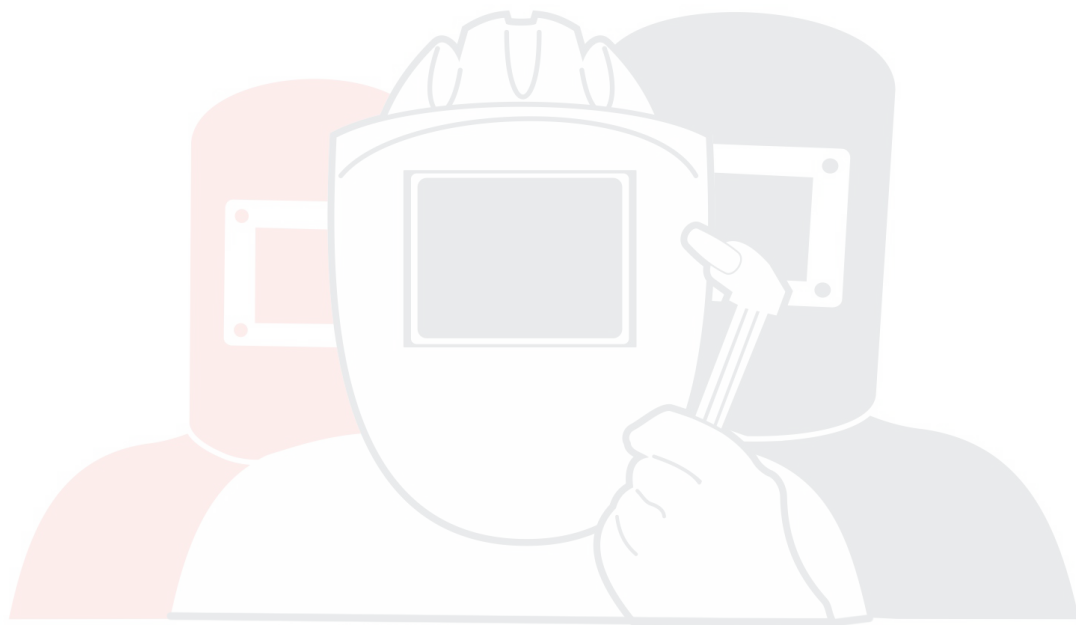
Maintenance and repair work should be performed by an experienced person, and electrical work only by a trained electrician. Use only recommended spare parts.



SVARMA ru

Эксперты в сварке

SPARE PARTS **4**



SVARMA ru

Эксперты в сварке

SPARE PARTS

Arc 410c, Arc 650c, Arc 810c

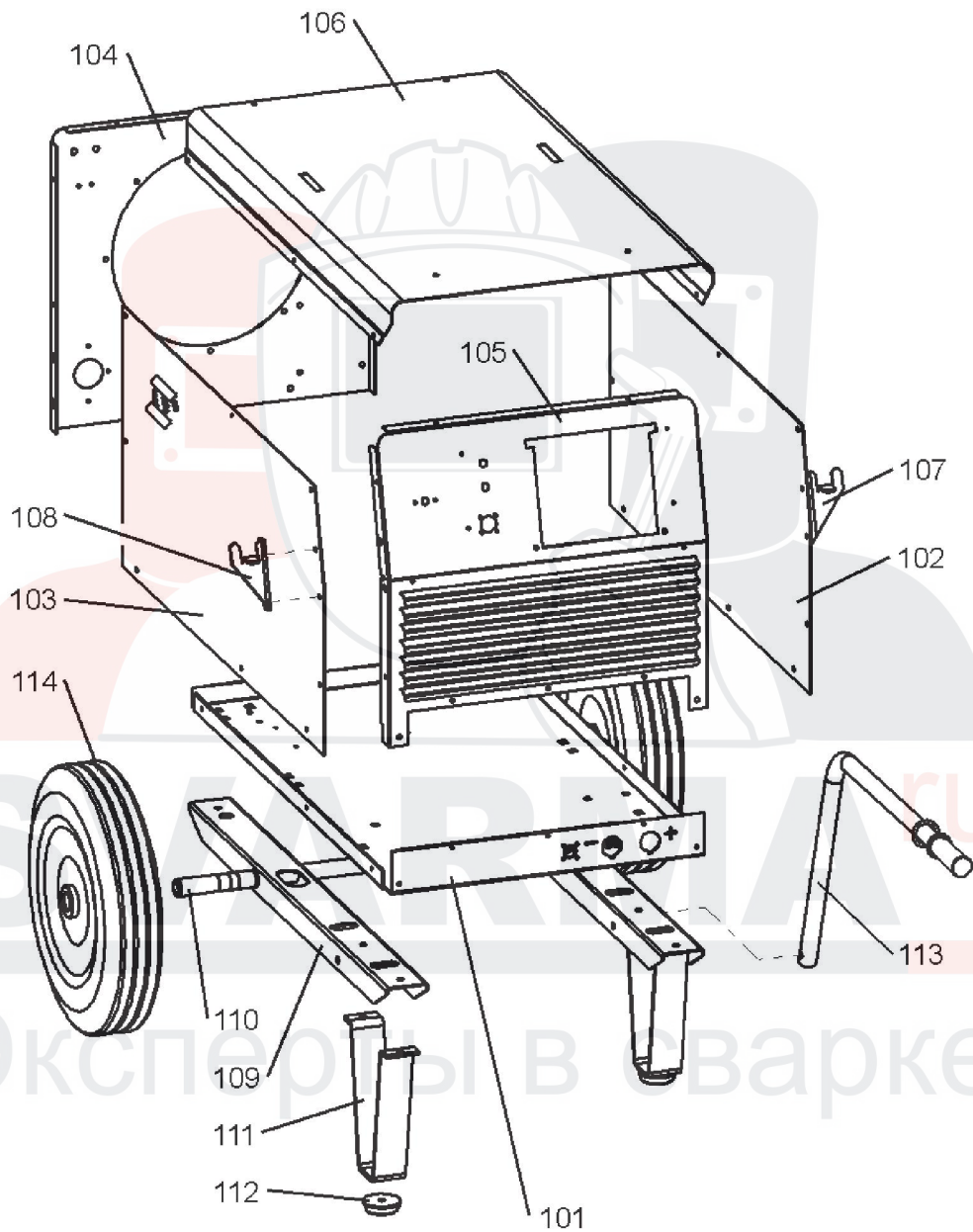
Item	Qty 410c	Qty 650c	Qty 810c	Ordering no.	Denomination	Notes
101	1	1	-	0349 311 262	Bottom plate	
	-	-	1	0349 484 055	Bottom plate	
102	1	1	1	0349 311 315	Side panel left	
103	1	1	1	0349 311 314	Side panel right	
104	1	1	1	0349 311 287	Rear plate	
105	1	1	1	0349 311 289	Front plate	
106	1	1	1	0349 311 311	Cover	
107	1	1	1	0349 311 374	Bracket left	
108	1	1	1	0349 311 373	Bracket right	
109	1	1	1	0349 311 359	Beam	
110	1	1	1	0365 046 001	Axle	
111	1	1	1	0319 738 001	Foot	
112	1	1	1	0319 455 002	Feet	
113	1	1	1	0320 059 881	Handle compl.	
114	1	1	1	0365 038 001	Wheel	



SVARMA ru

Эксперты в сварке

Arc 410c, Arc 650c, Arc 810c

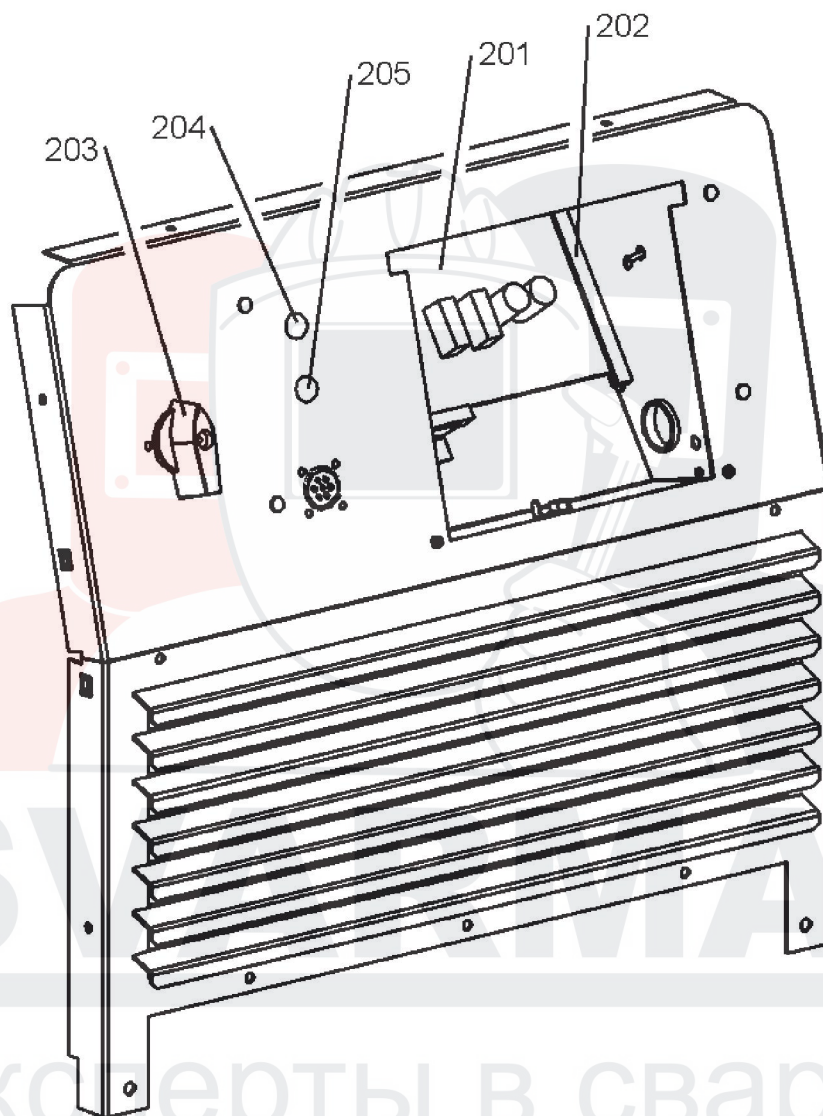


Arc 410c, Arc 650c, Arc 810c

Item	Qty 410c	Qty 650c	Qty 810c	Ordering no.	Denomination	Notes
201	1	-	-	0349 311 073	Electronics board	Valid for non-Offshore up to No.:734-916-xxxx Valid for Offshore up to No.:734-921-xxxx
	-	1	-	0349 311 580	Electronics board	Valid for non-Offshore up to No.:749-918-xxxx Valid for Offshore up to No.:749-921-xxxx
	-	-	1	0349 311 581	Electronics board	Valid for non-Offshore up to No.:751-920-xxxx Valid for Offshore up to No.:751-921-xxxx
	1	-	-	0349 311 846	Electronics board	Valid for non-Offshore from No.:734-917-xxxx Valid for Offshore from No.:734-922-xxxx
	-	1	-	0349 311 849	Electronics board	Valid for non-Offshore from No.:749-919-xxxx Valid for Offshore from No.:749-922-xxxx
	-	-	1	0349 311 851	Electronics board	Valid for non-Offshore from No.:751-921-xxxx Valid for Offshore from No.:751-922-xxxx
202	2	2	2	0365 745 001	Holder for PC board	
203	1	1	1	0349 302 305	Switch	
204	1	1	1	0369 733 007	Signal lamp	
205	1	1	1	0369 733 005	Indicating lamp	

Эксперты в сварке

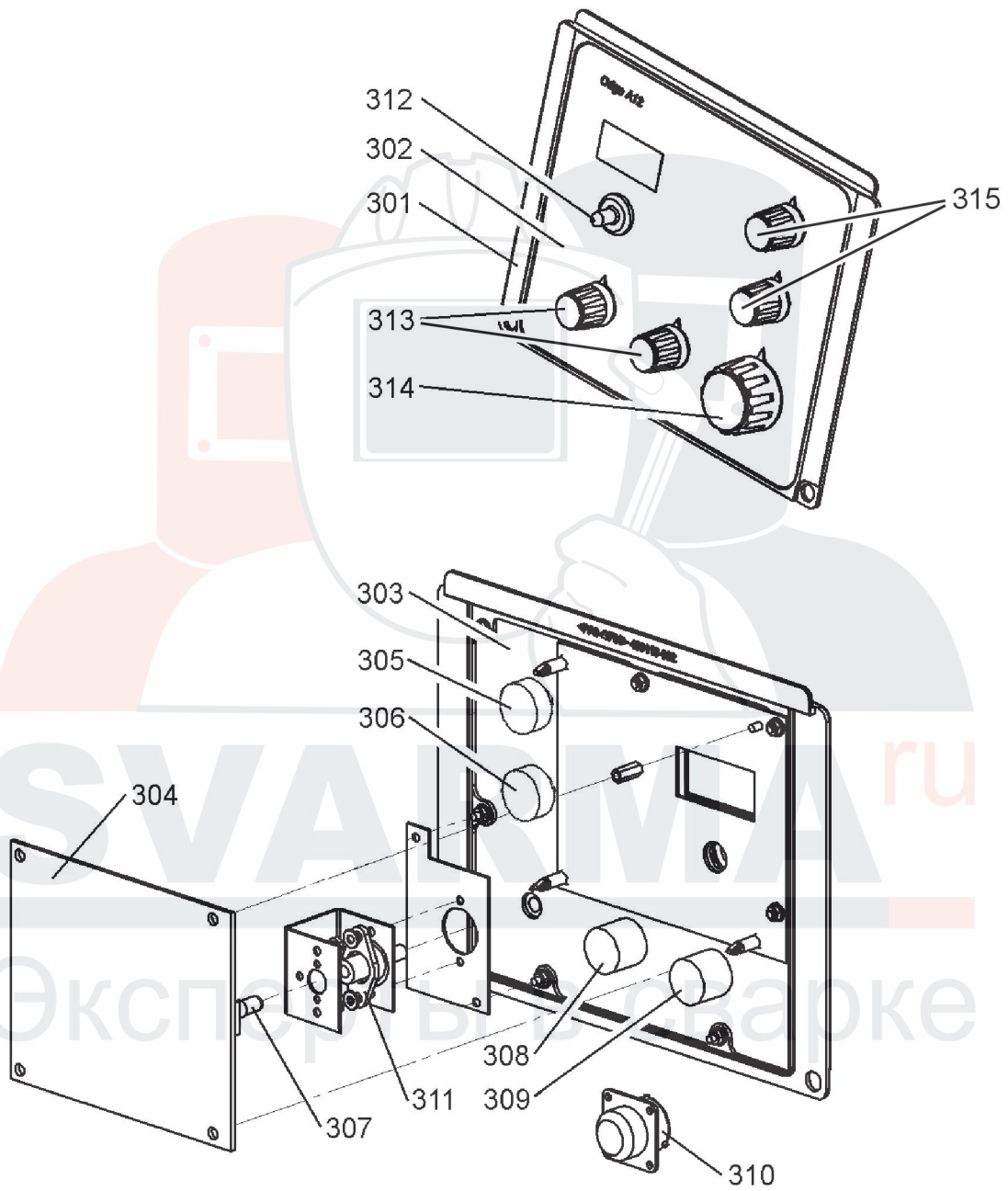
Arc 410c, Arc 650c, Arc 810c



Arc 410c, Arc 650c, Arc 810c

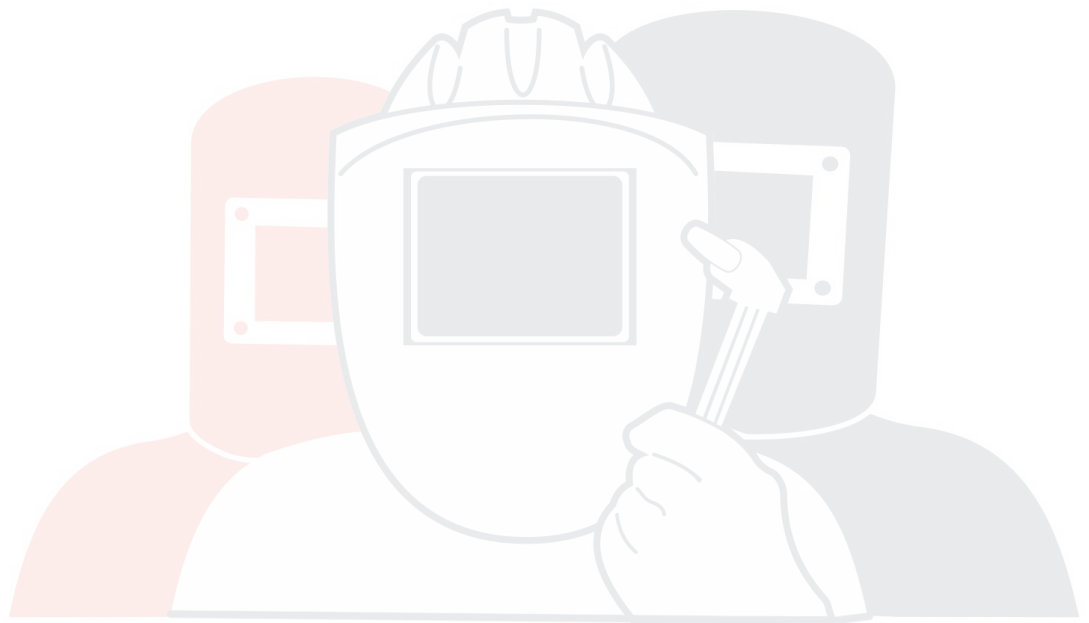
Item	Qty 410c	Qty 650c	Qty 810c	Ordering no.	Denomination	Notes
301	1	1	1	0459 118 002	Protection frame	
302	1	-	-	0349 311 445	Label	Panel A11
	1	1	1	0349 311 296	Label	Panel A12
303	1	-	-	0349 310 659	Panel	Panel A11
	1	1	1	0349 311 294	Panel	Panel A12
304	1	1	1	0349 311 109	Electronic board	Panel A12 only
305	1	1	1	0349 304 108	Rotary switch	
306	1	1	1	0349 486 429	Rotary switch	Panel A12 only
307	1	1	1	0349 313 199	Potentiometer	
	1	-	-	0349 311 759	Potentiometer	Panel A11
308	1	1	1	0349 310 654	Potentiometer	
309	1	1	1	0349 310 654	Potentiometer	
310	1	1	1	0368 544 003	Socket burndy	12-pole
311	1	1	1	0317 942 001	Planetary gearing	Before serial no. xxx-903-xxxx
312	1	1	1	0147 866 009	Cover rubber	Panel A12 only
313	2	2	2	0349 311 723	Knob, grey with arrow	D21/6 mm
	2	-	-	0349 311 723	Knob, grey with arrow	D21/6 mm, Panel A11
314	1	1	1	0349 313 233	Knob, grey with arrow	Panel A12
	1	-	-	0349 311 334	Knob, grey with arrow	Panel A11
315	2	2	2	0349 311 366	Knob, grey with arrow	Panel A12
	1	-	-	0349 311 366	Knob, grey with arrow	Panel A11

Arc 410c, Arc 650c, Arc 810c



Arc 410c, Arc 650c, Arc 810c

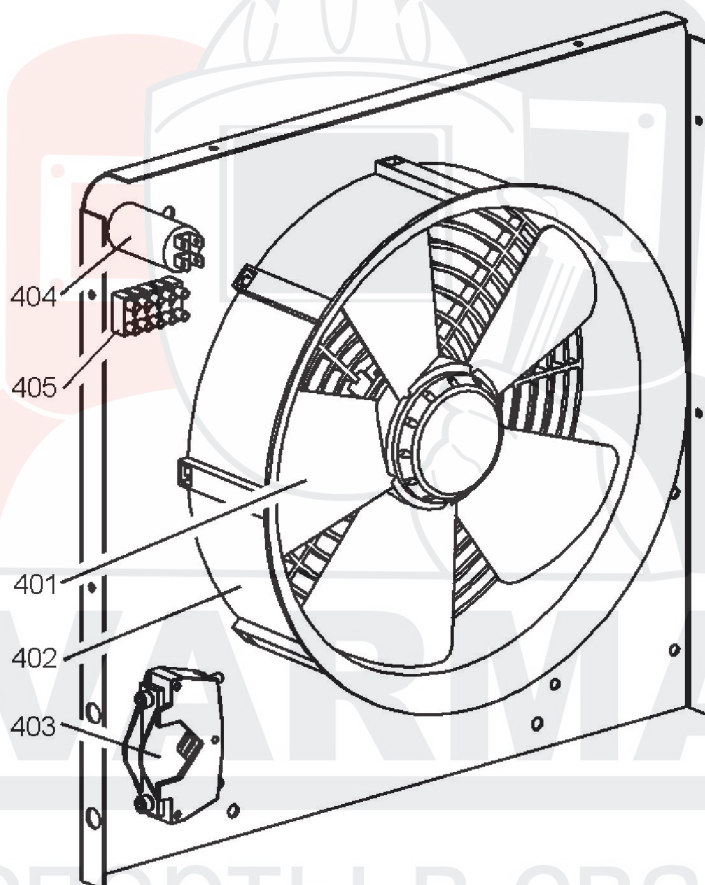
Item	Qty	Ordering no.	Denomination	Notes
401	1	0162 430 001	Fan	
402	1	0319 838 001	Fan casing	
403	1	0469 950 880	Cable inlet	
404	1	0191 085 202	Capacitor	2 μ F, 400V
405	1	0349 303 841	Connection block	



SVARMA ru

Эксперты в сварке

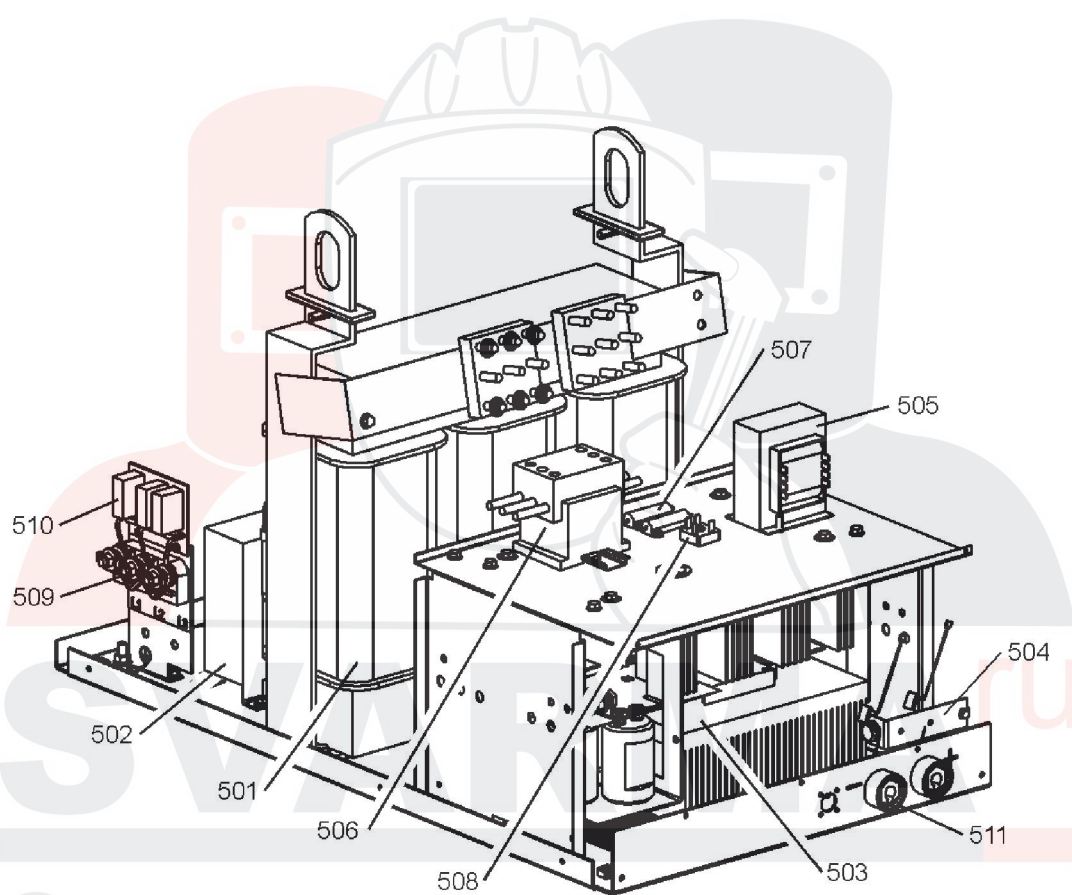
Arc 410c, Arc 650c, Arc 810c



Arc 410c, Arc 650c, Arc 810c

Item	Qty 410c	Qty 650c	Qty 810c	Ordering no.	Denomination	Notes
501	1	-	-	0349 311 251	Transformer	
	1	-	-	0349 311 568	Transformer	only Offshore
	-	1	-	0349 311 253	Transformer	
	-	1	-	0349 311 576	Transformer	only Offshore
	-	-	1	0349 311 532	Transformer	
502	1	-	-	0349 309 558	Inductor	
	1	-	-	0349 311 569	Inductor	only Offshore
	-	1	-	0349 310 798	Inductor	
	-	1	-	0349 311 577	Inductor	only Offshore
	-	-	1	0349 311 193	Inductor	
503	1	-	-	0349 308 601	Choper	SKS 400
	-	1	-	0349 311 236	Choper	SKS 650
	-	-	1	0349 311 238	Choper	SKS 800
	1	1	1	SCOMES - 0349 311 821 SEMIKRON - 0349 311 822	Thermal switch	Valid up to serial no.: xxx-145-xxxx
504	1	1	1	0467 992 881	Shunt	600 A, 60 mV
505	1	1	1	0349 311 233	Transformer	
506	1	-	-	0349 484 211	Contacto	
	-	1	-	0349 313 277	Contacto	
	-	-	1	0349 313 279	Contacto	
507	1	1	1	0349 310 724	Resistor	22 Ω, 50 W
	1	1	1	0349 485 729	Resistor	100 Ω, 50 W
508	1	1	1	0457 290 046	Rectifier bridge	
509	1	1	1	0162 772 001	Connection block	
510	1	1	1	0486 216 880	PC board mains filter	
511	2	2	-	0160 362 881	OKC contact	50-90 mm ²
	-	-	2	0160 362 882	OKC contact	120 mm ²

Arc 410c, Arc 650c, Arc 810c



Эксперты в сварке

ESAB subsidiaries and representative offices

Europe

AUSTRIA

ESAB Ges.m.b.H
Vienna-Liesing
Tel: +43 1 888 25 11
Fax: +43 1 888 25 11 85

BELGIUM

S.A. ESAB N.V.
Heist-op-den-Berg
Tel: +32 15 25 79 30
Fax: +32 15 25 79 44

BULGARIA

ESAB Kft Representative Office
Sofia
Tel: +359 2 974 42 88
Fax: +359 2 974 42 88

THE CZECH REPUBLIC

ESAB VAMBERK s.r.o.
Vamberk
Tel: +420 2 819 40 885
Fax: +420 2 819 40 120

DENMARK

Aktieselskabet ESAB
Herlev
Tel: +45 36 30 01 11
Fax: +45 36 30 40 03

FINLAND

ESAB Oy
Helsinki
Tel: +358 9 547 761
Fax: +358 9 547 77 71

GREAT BRITAIN

ESAB Group (UK) Ltd
Waltham Cross
Tel: +44 1992 76 85 15
Fax: +44 1992 71 58 03

ESAB Automation Ltd
Andover
Tel: +44 1264 33 22 33
Fax: +44 1264 33 20 74

FRANCE

ESAB France S.A.
Cergy Pontoise
Tel: +33 1 30 75 55 00
Fax: +33 1 30 75 55 24

GERMANY

ESAB GmbH
Solingen
Tel: +49 212 298 0
Fax: +49 212 298 218

HUNGARY

ESAB Kft
Budapest
Tel: +36 1 20 44 182
Fax: +36 1 20 44 186

ITALY

ESAB Saldatura S.p.A.
Bareggio (Mi)
Tel: +39 02 97 96 8.1
Fax: +39 02 97 96 87 01

THE NETHERLANDS

ESAB Nederland B.V.
Amersfoort
Tel: +31 33 422 35 55
Fax: +31 33 422 35 44

NORWAY

AS ESAB
Larvik
Tel: +47 33 12 10 00
Fax: +47 33 11 52 03

POLAND

ESAB Sp.zo.o.
Katowice
Tel: +48 32 351 11 00
Fax: +48 32 351 11 20

PORTUGAL

ESAB Lda
Lisbon
Tel: +351 8 310 960
Fax: +351 1 859 1277

ROMANIA

ESAB Romania Trading SRL
Bucharest
Tel: +40 316 900 600
Fax: +40 316 900 601

RUSSIA

LLC ESAB
Moscow
Tel: +7 (495) 663 20 08
Fax: +7 (495) 663 20 09

SLOVAKIA

ESAB Slovakia s.r.o.
Bratislava
Tel: +421 7 44 88 24 26
Fax: +421 7 44 88 87 41

SPAIN

ESAB Ibérica S.A.
Alcalá de Henares (MADRID)
Tel: +34 91 878 3600
Fax: +34 91 802 3461

SWEDEN

ESAB Sverige AB
Gothenburg
Tel: +46 31 50 95 00
Fax: +46 31 50 92 22

ESAB International AB
Gothenburg
Tel: +46 31 50 90 00
Fax: +46 31 50 93 60

SWITZERLAND

ESAB AG
Dietikon
Tel: +41 1 741 25 25
Fax: +41 1 740 30 55

UKRAINE

ESAB Ukraine LLC
Kiev
Tel: +38 (044) 501 23 24
Fax: +38 (044) 575 21 88

North and South America

ARGENTINA

CONARCO
Buenos Aires
Tel: +54 11 4 753 4039
Fax: +54 11 4 753 6313

BRAZIL

ESAB S.A.
Contagem-MG
Tel: +55 31 2191 4333
Fax: +55 31 2191 4440

CANADA

ESAB Group Canada Inc.
Mississauga, Ontario
Tel: +1 905 670 02 20
Fax: +1 905 670 48 79

MEXICO

ESAB Mexico S.A.
Monterrey
Tel: +52 8 350 5959
Fax: +52 8 350 7554

USA

ESAB Welding & Cutting
Products
Florence, SC
Tel: +1 843 669 44 11
Fax: +1 843 664 57 48

Asia/Pacific

AUSTRALIA

ESAB South Pacific
Archerfield BC QLD 4108
Tel: +61 1300 372 228
Fax: +61 7 3711 2328

CHINA

Shanghai ESAB A/P
Shanghai
Tel: +86 21 2326 3000
Fax: +86 21 6566 6622

INDIA

ESAB India Ltd
Calcutta
Tel: +91 33 478 45 17
Fax: +91 33 468 18 80

INDONESIA

P.T. ESABindo Pratama
Jakarta
Tel: +62 21 460 0188
Fax: +62 21 461 2929

JAPAN

ESAB Japan
Tokyo
Tel: +81 45 670 7073
Fax: +81 45 670 7001

MALAYSIA

ESAB (Malaysia) Snd Bhd
USJ
Tel: +603 8023 7835
Fax: +603 8023 0225

SINGAPORE

ESAB Asia/Pacific Pte Ltd
Singapore
Tel: +65 6861 43 22
Fax: +65 6861 31 95

SOUTH KOREA

ESAB SeAH Corporation
Kyungnam
Tel: +82 55 269 8170
Fax: +82 55 289 8864

UNITED ARAB EMIRATES

ESAB Middle East FZE
Dubai
Tel: +971 4 887 21 11
Fax: +971 4 887 22 63

Africa

EGYPT

ESAB Egypt
Dokki-Cairo
Tel: +20 2 390 96 69
Fax: +20 2 393 32 13

SOUTH AFRICA

ESAB Africa Welding & Cutting
Ltd
Durbanvill 7570 - Cape Town
Tel: +27 (0)21 975 8924

Distributors

For addresses and phone numbers to our distributors in other countries, please visit our home page

www.esab.com



www.esab.com

