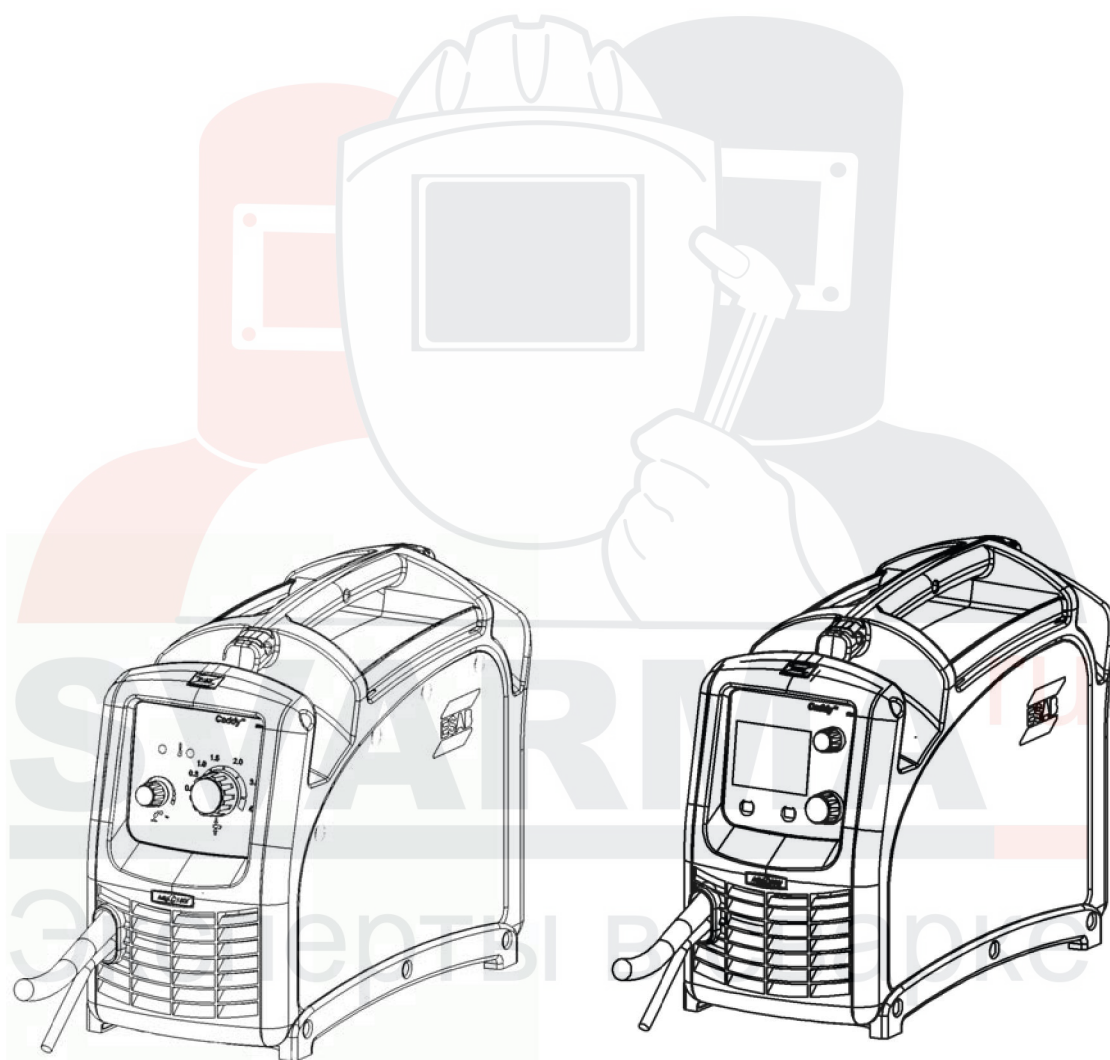


Caddy®

Mig C160i, Mig C200i

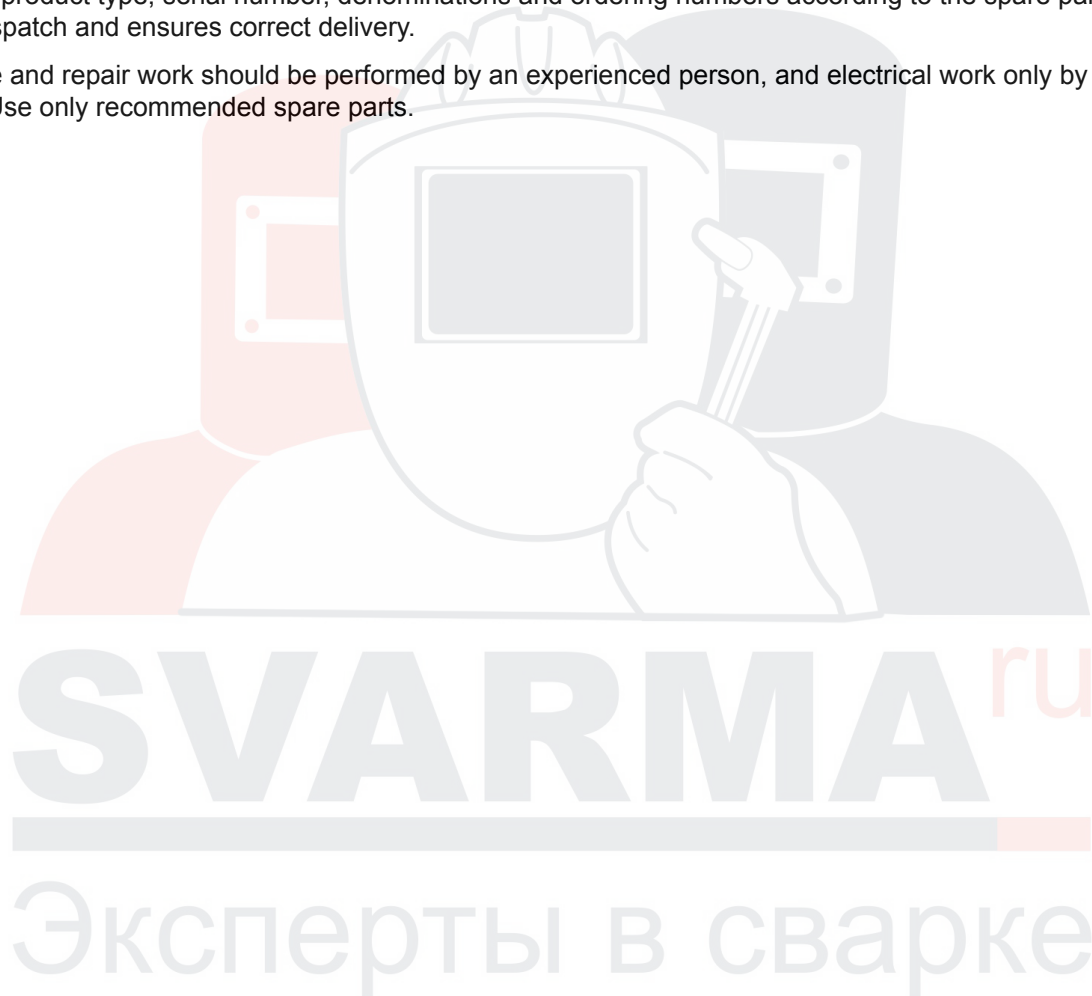


Spare parts list

Ordering no.	Product	Notes	Serial no
0349 310 850	Caddy® Mig C160i, CE (Europe)	230 V, 1~ 50/60 Hz	406-xxx-xxxx
0349 312 280	Caddy® Mig C160i, US (North America)	230 V, 1~ 50/60 Hz	025-xxx-xxxx
0349 312 750	Caddy® Mig C160i, CA (Canada)	230 V, 1~ 50/60 Hz	025-xxx-xxxx
0459 313 290	Caddy® Mig C160i, AU (Australia)	230 V, 1~ 50/60 Hz	528-xxx-xxx
0349 313 030	Caddy® Mig C160i, SA (South America)	230 V, 1~ 50/60 Hz	406-xxx-xxxx
0349 312 030	Caddy® Mig C200i, CE (Europe)	230 V, 1~ 50/60 Hz	406-xxx-xxxx
0349 312 290	Caddy® Mig C200i, US (North America)	230 V, 1~ 50/60 Hz	406-xxx-xxxx
0349 312 680	Caddy® Mig C200i, CA (Canada)	230 V, 1~ 50/60 Hz	406-xxx-xxxx
0349 313 040	Caddy® Mig C200i, AU (Australia)	230 V, 1~ 50/60 Hz	406-xxx-xxxx

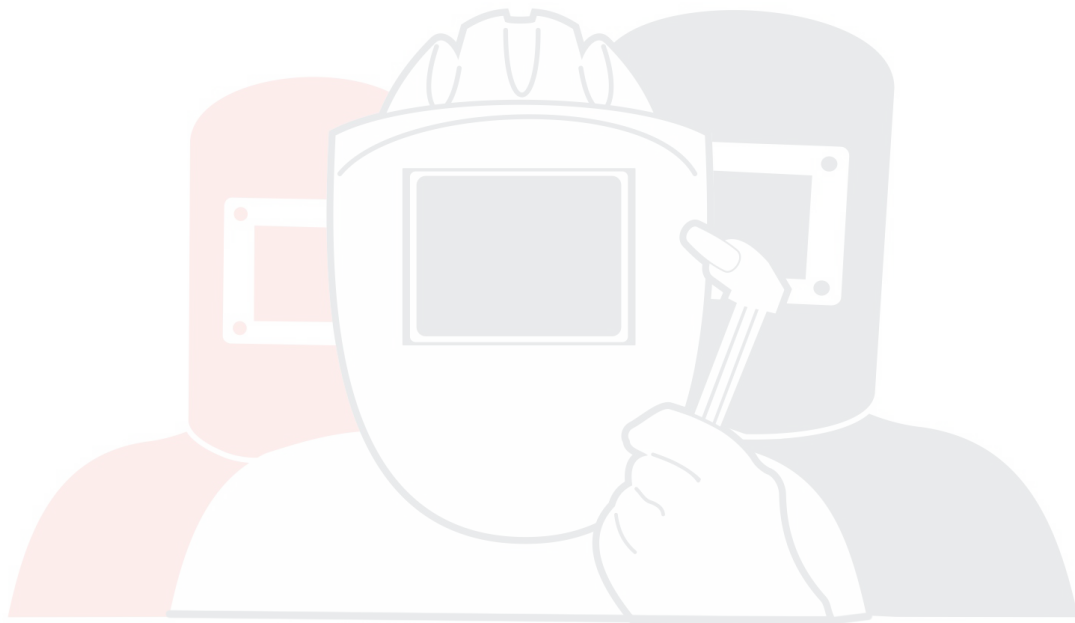
Spare parts may be ordered through your nearest ESAB dealer, see the back cover of this document. When ordering, please state product type, serial number, denominations and ordering numbers according to the spare parts list. This facilitates dispatch and ensures correct delivery.

Maintenance and repair work should be performed by an experienced person, and electrical work only by a trained electrician. Use only recommended spare parts.



SPARE PARTS **4**

WEAR PARTS..... **11**



SVARMA ru

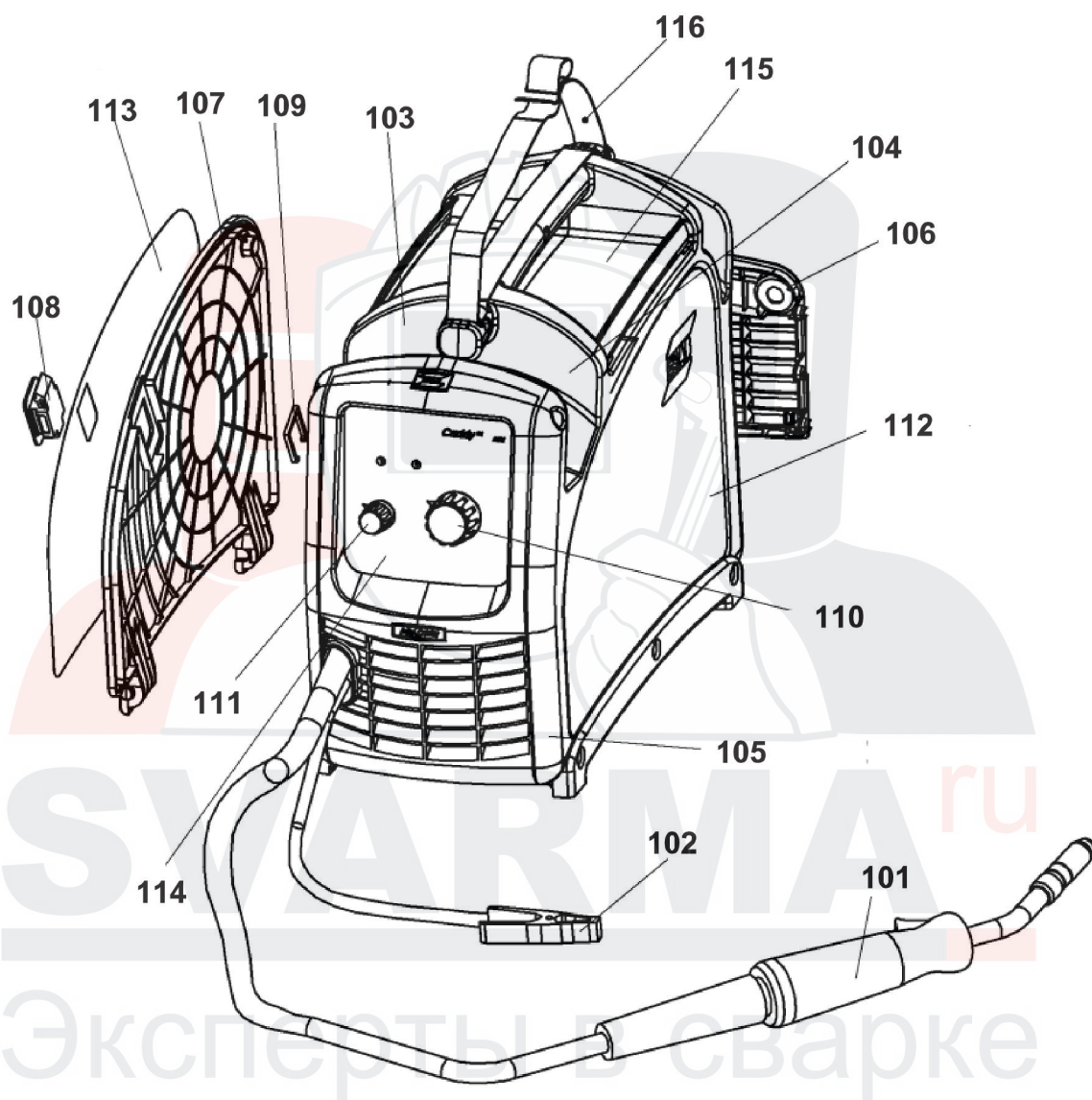
Эксперты в сварке

SPARE PARTS

Item	Qty C160i	Qty C200i	Ordering no.	Denomination	Notes
101	1	1	0349 483 070	Torch	MXL 180, 3m fixed
102	1	1	0349 490 035	Return cable	
103	1	1	0349 311 912	Intermediate plate	
104	1	1	0349 311 914	Side panel right	
105	1	-	0349 311 911	Front panel	
	-	1	0349 312 095	Front panel	
106	1	1	0349 311 915	Grill	
107	1	1	0349 311 913	Side panel left	
108	1	1	0349 312 092	Lock	
109	1	1	0369 561 002	Clamp	
110	1	-	0349 311 334	Knob	
	-	1	0460 600 521	Knob	
111	1	-	0349 311 366	Knob	
	-	1	0460 600 528	Knob	
112	1	1	0349 312 069	Label	
113	1	1	0349 312 068	Label	
114	1	-	0349 312 058	MMC label	
	-	1	0349 312 117	MMC label	
115	1	1	0349 312 184	Rubber	
116	1	1	0349 312 055	Shoulder strap	

SVARMA ru

Эксперты в сварке



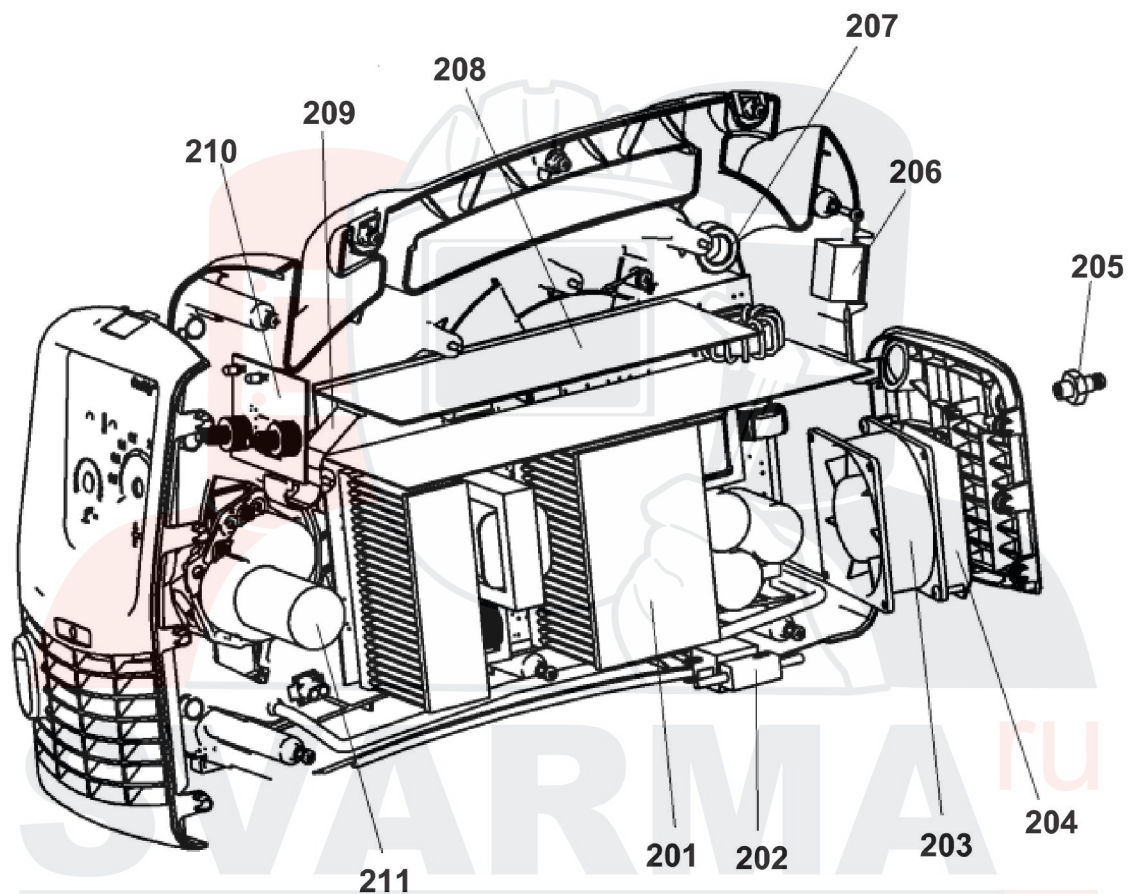
C = component designation in the circuit diagram

Item	Qty C160i					Qty C200i				Ordering no.	Denomination	Notes	C
	CE	US	CA	SA	AU	CE	US	CA	AU				
201	1	1	1	1	1	-	-	-	-	0349 312 555	Power PCB		
	-	-	-	-	-	1	1	1	1	0349 312 349	Power PCB		
202	1	1	1	1	1	1	1	1	1	0349 312 029	Gas valve		
203	1	1	1	1	1	1	1	1	1	0349 313 283	Fan cpl.		
204	1	1	1	1	1	1	1	1	1	0349 312 050	Shielding net		
205	1	1	1	1	1	1	1	1	1	0349 312 159	Coupler		
206	1	1	1	1	1	1	1	1	1	0349 312 097	Switch		
207	1	-	-	1	1	1	-	-	1	0349 312 063	Core		
208	1	1	1	1	1	1	1	1	1	0440 042 880	Control PCB		
209	1	1	1	1	1	1	1	1	1	0349 312 098	Ribbon cable with connectors		
210	1	1	1	1	1	-	-	-	-	0349 483 308	MMC PCB		
	-	-	-	-	-	1	1	1	1	0349 312 357	MMC PCB		
211	1	1	1	1	1	1	1	1	1	0349 312 057	Motor		



SVARMA ru

Эксперты в сварке

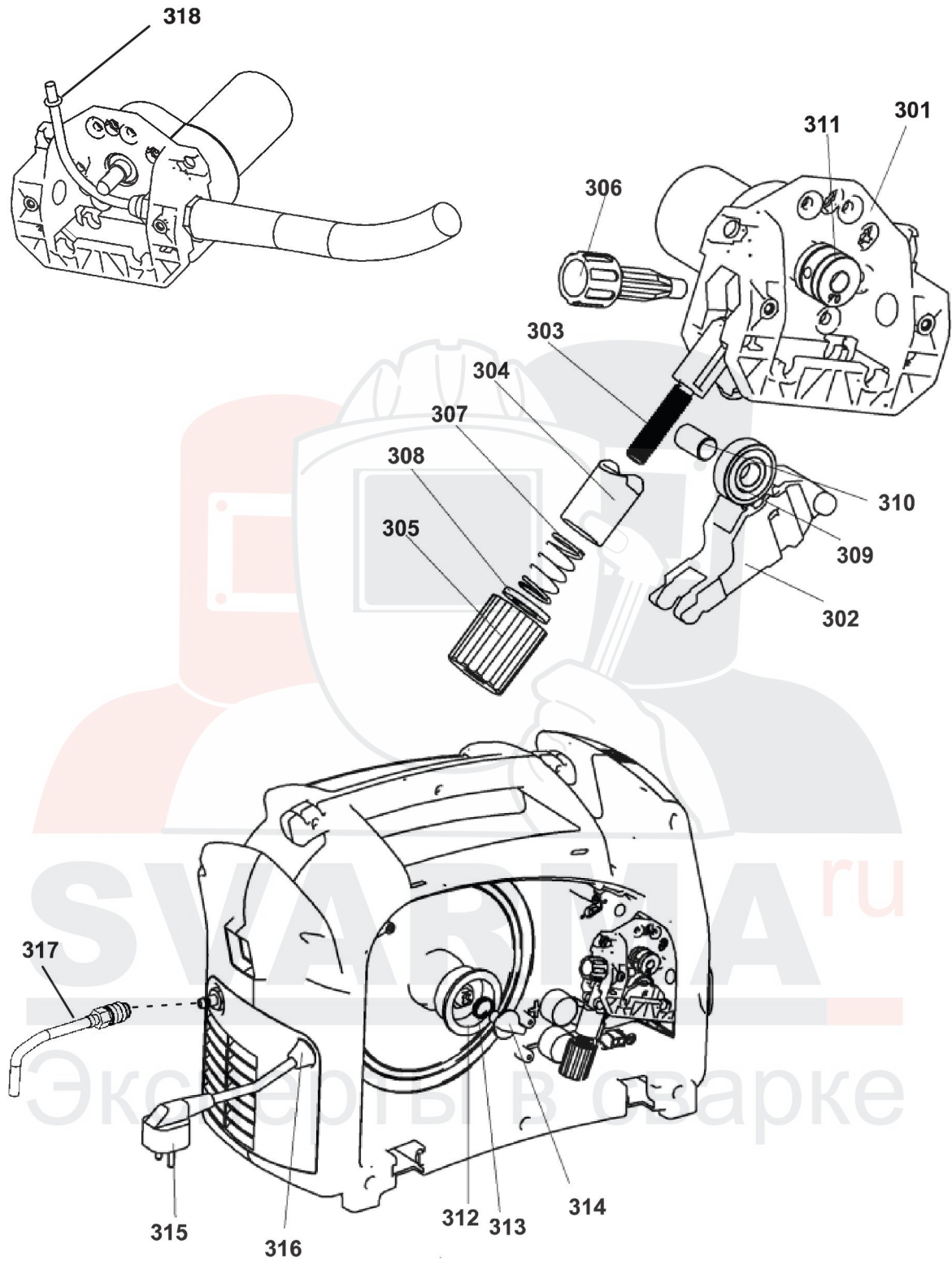


Эксперты в сварке

(W) = wear part

Item	Qty C160i					Qty C200i				Ordering no.	Denomination	Notes
	CE	US	CA	SA	AU	CE	US	CA	AU			
301	1	1	1	1	1	1	1	1	1	0349 311 801	Gear housing	
302	1	1	1	1	1	1	1	1	1	0349 311 802	Pressure arm	
303	1	1	1	1	1	1	1	1	1	0349 311 803	Push arm	
304	1	1	1	1	1	1	1	1	1	0349 311 805	Pressure sleeve	
305	1	1	1	1	1	1	1	1	1	0349 311 804	Adjusting knob	
306	1	1	1	1	1	1	1	1	1	(W)	Inlet nozzle	
307	1	1	1	1	1	1	1	1	1	0349 312 064	Spring	
308	1	1	1	1	1	1	1	1	1	-	Washer Ø 10.4	
309	1	1	1	1	1	1	1	1	1	(W)	Pressure roller	
310	1	1	1	1	1	1	1	1	1	0349 312 052	Bearing axle	
311	1	1	1	1	1	1	1	1	1	(W)	Feed roller	
312	1	1	1	1	1	1	1	1	1	0349 312 047	Bobbin clamp	
313	1	1	1	1	1	1	1	1	1	0349 312 049	Spring	
314	1	1	1	1	1	1	1	1	1	0349 312 048	Clamp lock	
315	1	-	-	-	-	1	-	-	-	0349 483 317	Mains cable	Plug CEE 7/7 type E/F
	-	1	-	-	-	-	1	-	-	0349 312 641	Mains cable	Plug NEMA 6-50P
	-	-	1	-	-	-	-	1	-	0349 312 712	Mains cable	Plug NEMA 6-20P
	-	-	-	1	-	-	-	-	-	0349 312 947	Mains cable	No plug
	-	-	-	-	1	-	-	-	1	0349 312 948	Mains cable	Plug AS/NZS 3112 type 15A 3 flat pins
316	1	1	1	1	1	1	1	1	1	0349 312 111	Bushing	
317	1	-	-	1	1	1	-	-	1	0349 312 105	Gas hose with connector	
	-	1	1	-	-	-	1	1	-	0349 312 644	Gas hose with connectors	
318										-	O-ring 3.5/IDX 1.8 (3.5x1.8 mm)	Black nitrile rubber

For wear parts see "Wear Parts" section.



(W) = wear part

Item	Qty	Ordering no.	Denomination	Notes
401	1	(W)	Gas nozzle	
402	1	(W)	Contact tip	W 0.6 M6 x 25
403	1	(W)	Nozzle spring	
404	1	(W)	Tip adaptor	
405	1	(W)	Wire liner	
406	1	0700 200 096	Head insulator	
407	1	0349 483 074	Swan neck	
408	1	0349 483 073	Handle complete	
409	1	0349 483 071	Trigger assembly	
410	1	0349 483 072	Handle cable support	

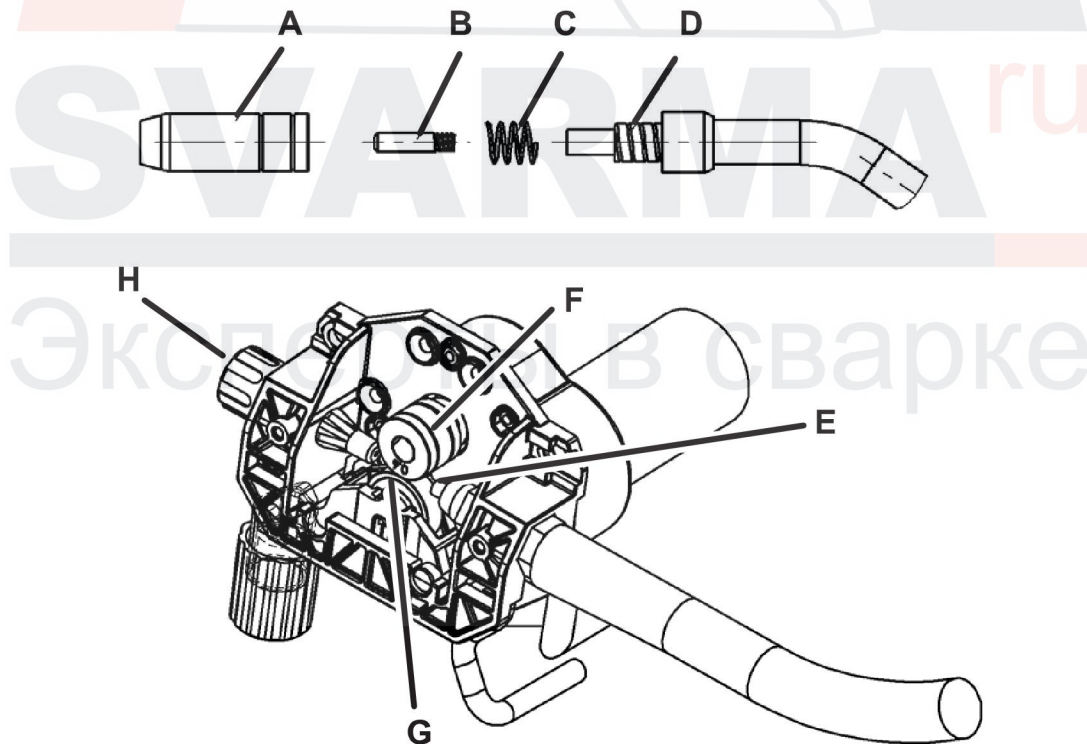
For wear parts see "Wear Parts" section.



WEAR PARTS

Item	Denomination	Ordering no.	Notes
A	Gas nozzle	0700 200 054	
	Gas nozzle/Tip insulator MXL	0700 200 105	
B	Contact tip	0700 200 063	w 0.6 M6x25
		0700 200 064	w 0.8 M6x25
		0700 200 065	w 0.9 M6x25
		0700 200 066	w 1.0 M6x25
C	Nozzle spring	0700 200 078	
D	Tip adaptor	0700 200 072	
E	Wire liner	0700 200 085	w 0.6-0.8 Steel for Fe and Ss wire
		0700 200 087	w 0.9-1.2 Steel for Fe and Ss wire
		0700 200 091	w 0.9-1.2 PTFE for Al and CuSi wire
F	Feed roller	0349 311 890	w 0.6-1.0 V-groove, Standard deliveries C160i/C200i
		0349 312 836	w 0.6-1.0 V-groove-1.0 U-groove, Option C200i
			w 0.6/0.8 V-groove and 1.0 Al U-groove
G	Pressure roller	0349 312 062	
H	Inlet nozzle	0455 049 002	w 0.6-1.0

The feed rollers are marked with wire dimension in mm and inch.



ESAB subsidiaries and representative offices

Europe

AUSTRIA

ESAB Ges.m.b.H
Vienna-Liesing
Tel: +43 1 888 25 11
Fax: +43 1 888 25 11 85

BELGIUM

S.A. ESAB N.V.
Heist-op-den-Berg
Tel: +32 15 25 79 30
Fax: +32 15 25 79 44

BULGARIA

ESAB Kft Representative Office
Sofia
Tel: +359 2 974 42 88
Fax: +359 2 974 42 88

THE CZECH REPUBLIC

ESAB VAMBERK s.r.o.
Vamberk
Tel: +420 2 819 40 885
Fax: +420 2 819 40 120

DENMARK

Aktieselskabet ESAB
Herlev
Tel: +45 36 30 01 11
Fax: +45 36 30 40 03

FINLAND

ESAB Oy
Helsinki
Tel: +358 9 547 761
Fax: +358 9 547 77 71

GREAT BRITAIN

ESAB Group (UK) Ltd
Waltham Cross
Tel: +44 1992 76 85 15
Fax: +44 1992 71 58 03

ESAB Automation Ltd
Andover
Tel: +44 1264 33 22 33
Fax: +44 1264 33 20 74

FRANCE

ESAB France S.A.
Cergy Pontoise
Tel: +33 1 30 75 55 00
Fax: +33 1 30 75 55 24

GERMANY

ESAB Welding and Cutting
GmbH
Solingen
Tel: +49 212 298 0
Fax: +49 212 298 218

HUNGARY

ESAB Kft
Budapest
Tel: +36 1 20 44 182
Fax: +36 1 20 44 186

ITALY

ESAB Saldatura S.p.A.
Bareggio (Mi)
Tel: +39 02 97 96 8.1
Fax: +39 02 97 96 87 01

THE NETHERLANDS

ESAB Nederland B.V.
Amersfoort
Tel: +31 33 422 35 55
Fax: +31 33 422 35 44

NORWAY

AS ESAB
Larvik
Tel: +47 33 12 10 00
Fax: +47 33 11 52 03

POLAND

ESAB Sp.zo.o.
Katowice
Tel: +48 32 351 11 00
Fax: +48 32 351 11 20

PORTUGAL

ESAB Lda
Lisbon
Tel: +351 8 310 960
Fax: +351 1 859 1277

ROMANIA

ESAB Romania Trading SRL
Bucharest
Tel: +40 316 900 600
Fax: +40 316 900 601

RUSSIA

LLC ESAB
Moscow
Tel: +7 (495) 663 20 08
Fax: +7 (495) 663 20 09

SLOVAKIA

ESAB Slovakia s.r.o.
Bratislava
Tel: +421 7 44 88 24 26
Fax: +421 7 44 88 87 41

SPAIN

ESAB Ibérica S.A.
Alcalá de Henares (MADRID)
Tel: +34 91 878 3600
Fax: +34 91 802 3461

SWEDEN

ESAB Sverige AB
Gothenburg
Tel: +46 31 50 95 00
Fax: +46 31 50 92 22

ESAB International AB
Gothenburg
Tel: +46 31 50 90 00
Fax: +46 31 50 93 60

SWITZERLAND

ESAB Europe GmbH
Neuhof Business Center
Neuhofstr. 4
Tel: +41 1 741 25 25
Fax: +41 1 740 30 55

UKRAINE

ESAB Ukraine LLC
Kiev
Tel: +38 (044) 501 23 24
Fax: +38 (044) 575 21 88

North and South America

ARGENTINA

CONARCO
Buenos Aires
Tel: +54 11 4 753 4039
Fax: +54 11 4 753 6313

BRAZIL

ESAB S.A.
Contagem-MG
Tel: +55 31 2191 4333
Fax: +55 31 2191 4440

CANADA

ESAB Group Canada Inc.
Mississauga, Ontario
Tel: +1 905 670 02 20
Fax: +1 905 670 48 79

MEXICO

ESAB Mexico S.A.
Monterrey
Tel: +52 8 350 5959
Fax: +52 8 350 7554

USA

ESAB Welding & Cutting
Products
Florence, SC
Tel: +1 843 669 44 11
Fax: +1 843 664 57 48

Asia/Pacific

AUSTRALIA

ESAB South Pacific
Archerfield BC QLD 4108
Tel: +61 1300 372 228
Fax: +61 7 3711 2328

CHINA

Shanghai ESAB A/P
Shanghai
Tel: +86 21 2326 3000
Fax: +86 21 6566 6622

INDIA

ESAB India Ltd
Calcutta
Tel: +91 33 478 45 17
Fax: +91 33 468 18 80

INDONESIA

P.T. ESABindo Pratama
Jakarta
Tel: +62 21 460 0188
Fax: +62 21 461 2929

JAPAN

ESAB Japan
Tokyo
Tel: +81 45 670 7073
Fax: +81 45 670 7001

MALAYSIA

ESAB (Malaysia) Snd Bhd
USJ
Tel: +603 8023 7835
Fax: +603 8023 0225

SINGAPORE

ESAB Asia/Pacific Pte Ltd
Singapore
Tel: +65 6861 43 22
Fax: +65 6861 31 95

SOUTH KOREA

ESAB SeAH Corporation
Kyungnam
Tel: +82 55 269 8170
Fax: +82 55 289 8864

UNITED ARAB EMIRATES

ESAB Middle East FZE
Dubai
Tel: +971 4 887 21 11
Fax: +971 4 887 22 63

Africa

EGYPT

ESAB Egypt
Dokki-Cairo
Tel: +20 2 390 96 69
Fax: +20 2 393 32 13

SOUTH AFRICA

ESAB Africa Welding & Cutting
Ltd
Durbanvill 7570 - Cape Town
Tel: +27 (0)21 975 8924

Distributors

For addresses and phone numbers to our distributors in other countries, please visit our home page

www.esab.com



www.esab.com

